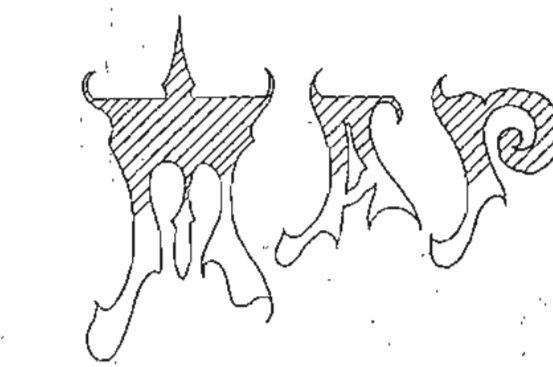
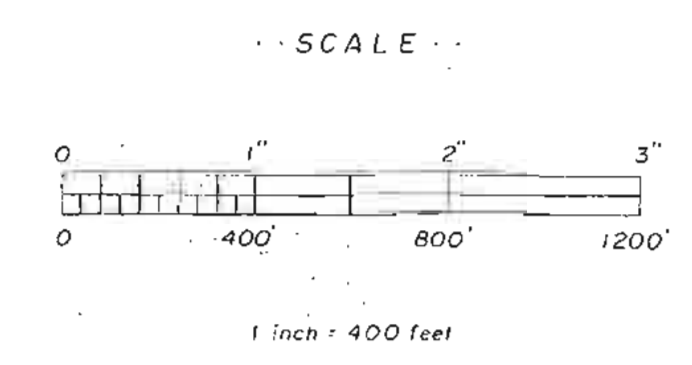


**NOTES:**

- The physical information shown on these maps was taken from aerial photography on file in the Franklin County Real Property Tax Service office. The names of property owners and the deed references were taken from the Final Assessment Rolls for the Towns of Brighton and Franklin for the year 1991.
- The intention of these maps is to show ownership of the shoreline of the Rainbow Lake - Lake Kushaqua system, as it appears in the public records, and not to define the limits of said ownership. The boundary information shown hereon is subject to whatever an accurate instrument survey might reveal.
- The shaded, shoreline portion of all maps represents the 200 foot wide corridor of land effected by the proposed Water District, extending inland from the shoreline.

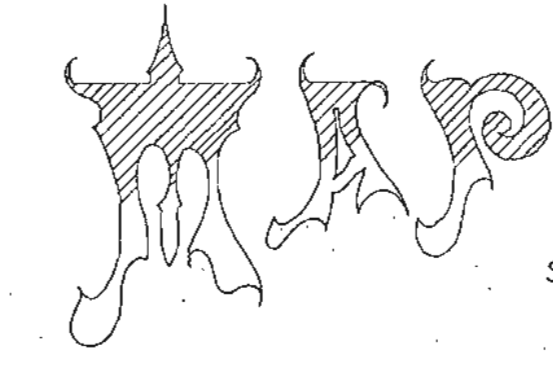
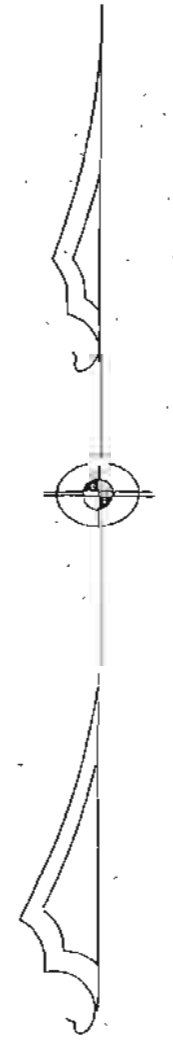


SHOWING SHORELINE OWNERSHIP  
FOR  
**RAINBOW LAKE ASSOCIATES, INC**  
Situates in  
TOWNS OF BRIGHTON AND FRANKLIN  
COUNTY OF FRANKLIN  
STATE OF NEW YORK

**FILED**  
AUG 2 1990  
FRANKLIN COUNTY  
CLERK'S OFFICE

Prepared by:  
**CHRISTOPHER H. LEIFHEIT**  
Licensed Land Surveyor, Reg no 49699  
Paul Smiths - Gabriels, New York  
Dated: July 6, 1989  
Revised: August 6, 1990





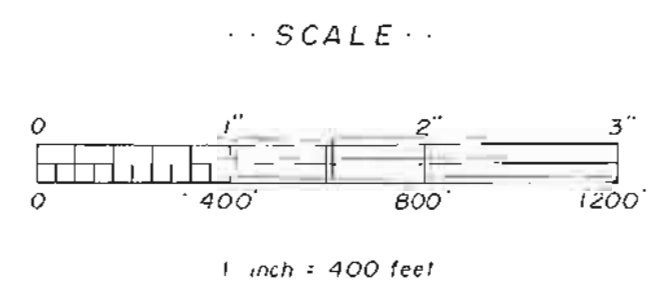
SHOWING SHORELINE OWNERSHIP

FOR  
RAINBOW LAKE ASSOCIATES, INC.

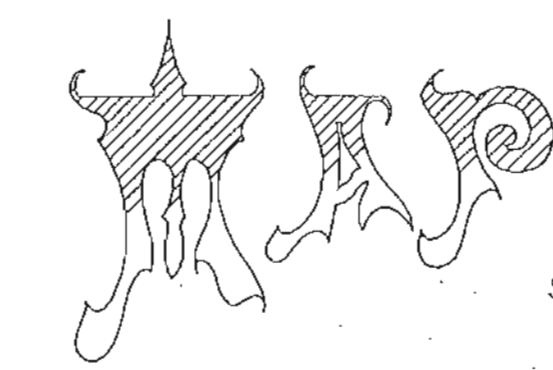
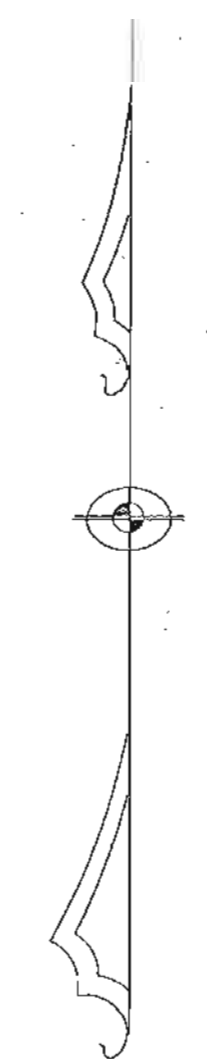
#1322

**FILED**  
AUG 22 1990  
FRANKLIN COUNTY  
CLERK'S OFFICE

Prepared by:  
CHRISTOPHER H. LEIFHEIT  
Licensed Land Surveyor, Reg. no. 49699  
Paul Smiths - Gabriels, New York  
Dated: July 6, 1989  
Revised: August 6, 1990





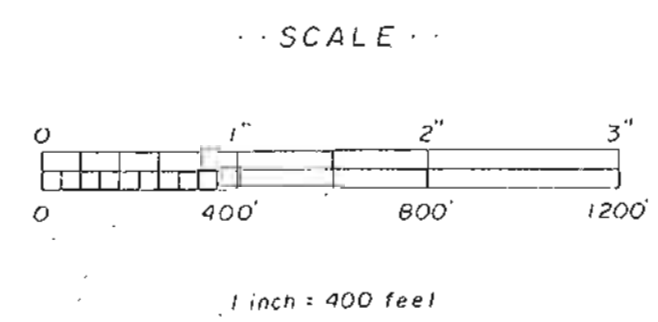


SHOWING SHORELINE OWNERSHIP

FOR

RAINBOW LAKE ASSOCIATES, INC.

1327



**FILED**  
AUG 22 1990  
FRANKLIN COUNTY  
CLERK'S OFFICE

Prepared by:  
**CHRISTOPHER H. LEIFHEIT**  
Licensed Land Surveyor, Reg. no. 49699  
Paul Smiths - Gabriels, New York  
Dated: July 6, 1989  
Revised: August 6, 1990



Dam built - Dam owned by New York State Electric and Gas Corp. in Rainbow Lake Associates, Inc. Dated November 13, 1986 and recorded on December 15, 1986. Lib. 527 of page 904. (Dam location approximate.)

STATE OF NEW YORK

WHITE FATHERS OF AFRICA 361/214

CHUB POND

STATE OF NEW YORK

LAKE

KUSHAQUA

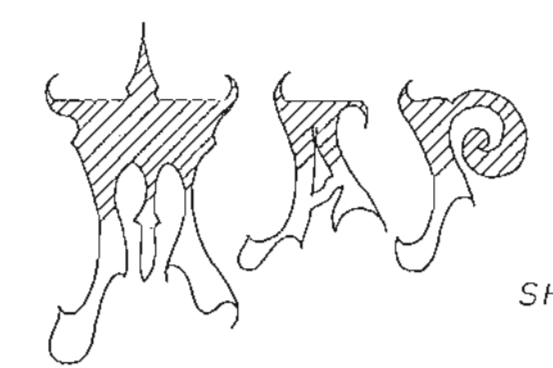
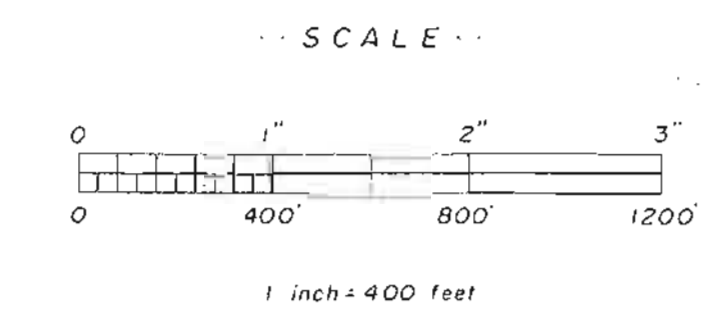
STATE OF NEW YORK

HOPE POND

STATE OF NEW YORK

BUCK POND

STATE OF NEW YORK



SHOWING SHORELINE OWNERSHIP

RAINBOW LAKE ASSOCIATES, INC.

Prepared by: CHRISTOPHER H. LEIFHEIT  
Licensed Land Surveyor, Reg. no. 49699  
Paul Smiths - Gabriels, New York

FILED  
22 1989  
FRANKLIN COUNTY  
CLERK'S OFFICE

Dated: July 16, 1989  
Revised: August 6, 1990

1322

LINE Sheet 3

MATCH

POND

MUD

KUSHAQUA

ROAD